



The profile NRE is ideal for sealing externally pressurized flanges, in particular cryogenic static and intermittently dynamic applications.

Features

- Wiper-type lips.
- Cantilever spring with high-load/high-compliance to resist permanent set and long-term flange separation.
- Available in large cross-sections, ideal for large-diameter seals.
- NACE-approved energizers available for oil field use

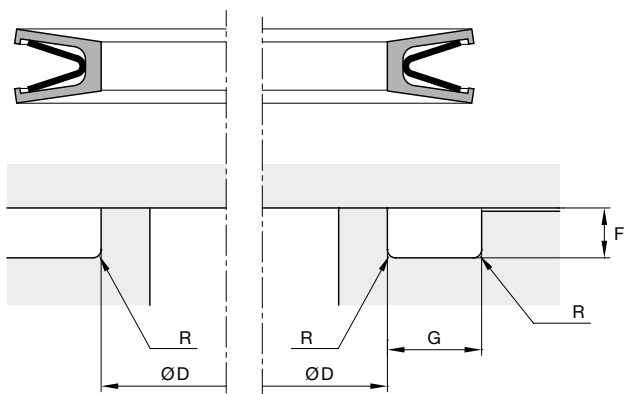
Range of Application

For external cryogenic static and intermittently dynamic flange sealing.

Operating pressure	≤ 35 MPa
Operating temperature	-260 to +315 °C
Surface speed	≤ 0.005 m/s

Compounds

The NRE seal is available in a wide range of polymers. These include unfilled PTFE, filled PTFE, UHMW-PE, PEEK and many others. See the compound list for further information.



Housing dimensions

Nominal cross-section	Cross-section code	Recommended inner Ø range		Groove depth range F (mm)	Groove width min. G (mm)	Radius max. R (mm)
		Tolerance h10 D (mm)				
		≥	≤			
3/16"	04	50	300	4.72 - 4.78	9.0	0.75
1/4"	05	80	1000	6.05 - 6.12	10.0	0.75
3/8"	06	150	1200	9.47 - 9.58	13.5	0.75
1/2"	07	200	3000	12.70 - 12.80	18.5	0.75

FlexiSeal®

Ordering example

Inside groove 100 mm

NRE M010000 04 XXX Y

NRE profile
M010000 inner groove diameter in mm times 100
04 cross-section code corresponding to a 4.62 mm groove height
XXX jacket material
Y spring-energizer material