



The profile HRI is ideal for sealing internally high-pressurized flanges, in particular cryogenic static and intermittently dynamic applications.

Features

- Extended heel to resist extrusion effects.
- Wiper-type lips.
- Cantilever spring with high-load/high-compliance to resist permanent set and long-term flange separation.
- Rigid spring acts as a control band to resist low temperature shrinkage.
- Available in large cross-sections, ideal for large-diameter seals.
- NACE-approved energizers available for oil field use.

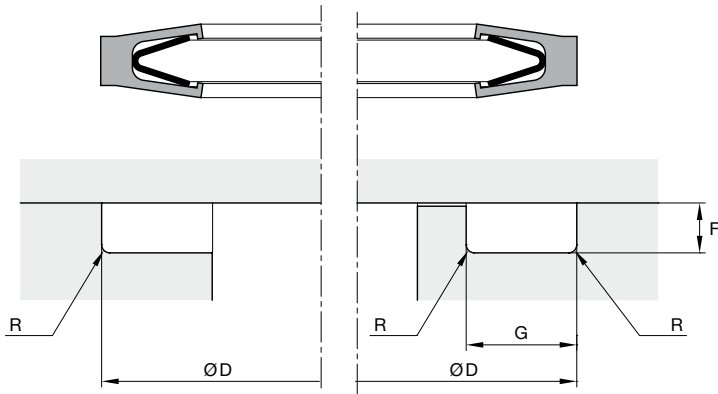
Range of Application

For internal cryogenic static and intermittently dynamic flange sealing – high-pressure.

Operating pressure	≤ 55 MPa
Operating temperature	-260 to +315 °C
Surface speed	≤ 0.005 m/s

Compounds

The HRI seal is available in a wide range of polymers. These include unfilled PTFE, filled PTFE, UHMW-PE, PEEK and many others. See the compound list for further information.



Housing dimensions

Nominal cross-section	Cross-section code	Recommended outer Ø range		Groove depth range F (mm)	Groove width min. G (mm)	Radius max. R (mm)
		Tolerance H10 D (mm)				
		≥	≤			
3/16"	04	50	300	4.72 - 4.78	9.9	0.75
1/4"	05	80	1000	6.05 - 6.12	11.8	0.75
3/8"	06	150	1200	9.47 - 9.58	16.0	0.75
1/2"	07	200	3000	12.70 - 12.80	21.0	0.75

FlexiSeal®

Ordering example

Outside groove 100 mm

HRI M010000 04 XXX Y

HRI profile
M010000 outer groove diameter in mm times 100
04 cross-section code corresponding to a 4.62 mm groove height
XXX jacket material
Y spring-energizer material