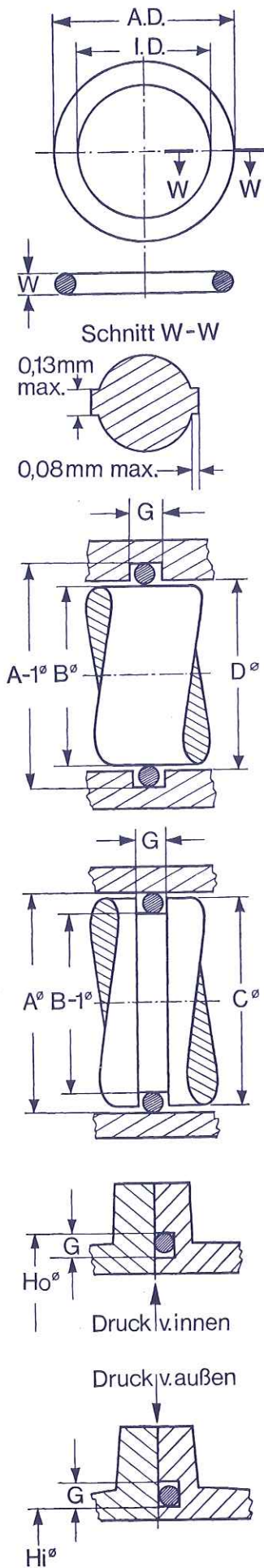


O-Ring Standardgrößen



Serie 2-XXX

 1,78 ± 0,08			 2,62 ± 0,08			 3,53 ± 0,10		
PARKER Nr.	I. D. mm	A. D. Freimaß	PARKER Nr.	I. D. mm	A. D. Freimaß	PARKER Nr.	I. D. mm	A. D. Freimaß
2-001*	0.74	2.78	2-102	1.24	6.48	2-201	4.34	11.40
2-002*	1.07	3.61	2-103	2.06	7.30	2-202	5.94	13.00
2-003*	1.42	4.46	2-104	2.84	8.08	2-203	7.52	14.58
2-004	1.78	5.34	2-105	3.63	8.87	2-204	9.12	16.18
2-005	2.57	6.13	2-106	4.42	9.66	2-205	10.69	17.75
2-006	2.90	6.46	2-107	5.23	10.47	2-206	12.29	19.35
2-007	3.68	7.24	2-108	6.02	11.26	2-207	13.87	20.93
2-008	4.47	8.03	2-109	7.59	12.83	2-208	15.47	22.53
2-009	5.28	8.84	2-110	9.19	14.43	2-209	17.04	24.10
2-010	6.07	9.63	2-111	10.77	16.01	2-210	18.64	25.70
2-011	7.65	11.21	2-112	12.37	17.61	2-211	20.22	27.28
2-012	9.25	12.81	2-113	13.94	19.18	2-212	21.82	28.88
2-013	10.82	14.38	2-114	15.54	20.78	2-213	23.39	30.45
2-014	12.42	15.98	2-115	17.12	22.36	2-214	24.99	32.05
2-015	14.00	17.56	2-116	18.72	23.96	2-215	26.57	33.63
2-016	15.60	19.16	2-117	20.29	25.53	2-216	28.17	35.23
2-017	17.17	20.73	2-118	21.89	27.13	2-217	29.74	36.80
2-018	18.77	22.33	2-119	23.47	28.71	2-218	31.34	38.40
2-019	20.35	23.91	2-120	25.07	30.31	2-219	32.92	39.98
2-020	21.95	25.51	2-121	26.64	31.88	2-220	34.52	41.58
2-021	23.52	27.08	2-122	28.24	33.48	2-221	36.09	43.15
2-022	25.12	28.68	2-123	29.82	35.06	2-222	37.69	44.75
2-023	26.70	30.26	2-124	31.42	36.66	2-223	40.87	47.93
2-024	28.30	31.86	2-125	32.99	38.23	2-224	44.04	51.10
2-025	29.87	33.43	2-126	34.59	39.83	2-225	47.22	54.28
2-026	31.47	35.03	2-127	36.17	41.41	2-226	50.39	57.45
2-027	33.05	36.61	2-128	37.77	43.01	2-227	53.57	60.63
2-028	34.65	38.21	2-129	39.34	44.58	2-228	56.74	63.80
2-029	37.82	41.38	2-130	40.94	46.18	2-229	59.92	66.98
2-030	41.00	44.56	2-131	42.52	47.76	2-230	63.09	70.15
2-031	44.17	47.73	2-132	44.12	49.36	2-231	66.27	73.33
2-032	47.35	50.91	2-133	45.69	50.93	2-232	69.44	76.50
2-033	50.52	54.08	2-134	47.29	52.53	2-233	72.62	79.68
2-034	53.70	57.26	2-135	48.90	54.14	2-234	75.79	82.85
2-035	56.87	60.43	2-136	50.47	55.71	2-235	78.97	86.03
2-036	60.05	63.61	2-137	52.07	57.31	2-236	82.14	89.20
2-037	63.22	66.78	2-138	53.64	58.88	2-237	85.32	92.38
2-038	66.40	69.96	2-139	55.25	60.49	2-238	88.49	95.55
2-039	69.57	73.13	2-140	56.82	62.06	2-239	91.67	98.73
2-040	72.75	76.31	2-141	58.42	63.66	2-240	94.84	101.90
2-041	75.92	79.48	2-142	59.99	65.23	2-241	98.02	105.08
2-042	82.27	85.83	2-143	61.60	66.84	2-242	101.19	108.25
2-043	88.62	92.18	2-144	63.17	68.41	2-243	104.37	111.43
2-044	94.97	98.53	2-145	64.77	70.01	2-244	107.54	114.60
2-045	101.32	104.88	2-146	66.34	71.58	2-245	110.72	117.78
2-046	107.67	111.23	2-147	67.95	73.19	2-246	113.89	120.95
2-047	114.02	117.58	2-148	69.52	74.76	2-247	117.07	124.13
2-048	120.37	123.93	2-149	71.12	76.36	2-248	120.24	127.30
2-049	126.72	130.28	2-150	72.69	77.93	2-249	123.42	130.48
2-050	133.07	136.63	2-151	75.87	81.11	2-250	126.59	133.65
			2-152	82.22	87.46	2-251	129.77	136.83
			2-153	88.57	93.81	2-252	132.94	140.00
			2-154	94.92	100.16	2-253	136.12	143.18
			2-155	101.27	106.51	2-254	139.29	146.35
			2-156	107.62	112.86	2-255	142.47	149.53
			2-157	113.97	119.21	2-256	145.64	152.70
			2-158	120.32	125.56	2-257	148.82	155.88
			2-159	126.67	131.91	2-258	151.99	159.05
			2-160	133.02	138.26	2-259	155.34	165.40
			2-161	139.37	144.61	2-260	164.69	171.75
			2-162	145.72	150.96	2-261	171.04	178.10
			2-163	152.07	157.31	2-262	177.39	184.45
			2-164	158.42	163.66	2-263	183.74	190.80
			2-165	164.77	170.01	2-264	190.09	197.15
			2-166	171.12	176.36	2-265	196.44	203.50
			2-167	177.47	182.71	2-266	202.79	209.85
			2-168	183.82	189.06	2-267	209.14	216.20
			2-169	190.17	195.41	2-268	215.49	222.55
			2-170	196.52	201.76	2-269	221.84	228.90
			2-171	202.87	208.11	2-270	228.19	235.25
			2-172	209.22	214.46	2-271	234.54	241.60
			2-173	215.57	220.81	2-272	240.89	247.95
			2-174	221.92	227.16	2-273	247.24	254.30
			2-175	228.27	233.51	2-274	253.59	260.65
			2-176	234.62	239.86	2-275	260.29	273.35
			2-177	240.97	246.21	2-276	278.99	286.05
			2-178	247.32	252.56	2-277	291.69	298.75
						2-278	304.39	311.45
						2-279	329.79	336.85
						2-280	355.19	362.25
						2-281	380.59	387.65
						2-282	405.26	412.32
						2-283	430.66	437.72
						2-284	456.06	463.12

* Bitte beachten Sie:
W bei 2-001 ist 1,02 mm
W bei 2-002 ist 1,27 mm
W bei 2-003 ist 1,52 mm

Bei Bestellung bitte PARKER-Größe und Werkstoff angeben. (Z. B.: die Bestellnummer für einen O-Ring der Größe 2-130 aus dem Werkstoff N 674-70 ist 2-130 N 674-70.)

